

winPOD

- Next Generation Cared For
- Work Efficiency Planned For
- Privacy Catered For



Elevated **SPACES** | Elevated **THINKING**



Greenguard

Certification



In 2022, WINPOD is the first acoustic pod brand to receive UL GREENGUARD Certification in ASEAN. Then it was upgraded to Gold Certification in 2023. We are now the first and only brand in Asia that is Greenguard certified.

Products with GREENGUARD Certification undergo rigorous testing to demonstrate their low emissions of VOCs, formaldehyde, and other harmful chemicals.

Caring for your employees' health is made easy with WINPOD, as our acoustic pods are certified to have low harmful emissions.

*“Winpod is **GREENGUARD** certified, giving our clients a peace of mind when using our products, knowing they are safer and have low harmful emissions.”*

Turn on Hybrid mode seamlessly

With the wide adoption of the new hybrid work mode today, having a functional and quiet space in an open-plan office is critical. The benefits of having a well-designed and mobile workspace will enhance your employees' deliverables.

1 Save cost without affecting your privacy

Keep renovation costs to the minimal by having an open-plan office. All our acoustic pods come with the perfect sound insulation to ensure your privacy is taken care of, whether you are taking a private call or having a confidential discussion.

2 Easy to assemble and mobile

All WINPOD acoustic pods are easy to assemble. Selected acoustic pods come with caster wheels, so you can easily move the acoustic pods to anywhere in the office without going through any renovation. There are many colours to choose from to complement any design and theme.

3 Efficient and effective work planning and meetings

Avoid distractions in an open-plan office with WINPOD acoustic pods. Step into a quiet and a distraction-free zone when you require laser sharp focus to concentrate on the task at hand.

4 Caring for your employees

Post pandemic, employee's health and well-being will no longer be an after-thought. It is to be included and planned for right from the beginning. WINPOD acoustic pods are designed ergonomically, disabled-friendly, user friendly, and environmentally friendly, providing a safe and stress-free space for all your employees.



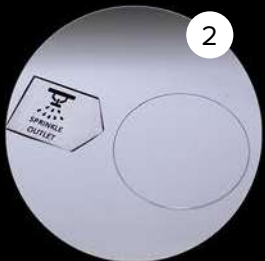


Overview



Air Purifying System

The acoustic pod is well ventilated with HEPA air filter to provide a comfortable and clean workspace to the user without feeling claustrophobic.



Perforated Hole for Sprinkler

Sprinkler head can be installed based on safety requirement.



Sustainable & Recyclable

WINPOD practices sustainability in its daily manufacturing operation. Up to 98% of the materials used for the acoustic pods are recyclable.



Ergonomic and Exclusive Charging Ports

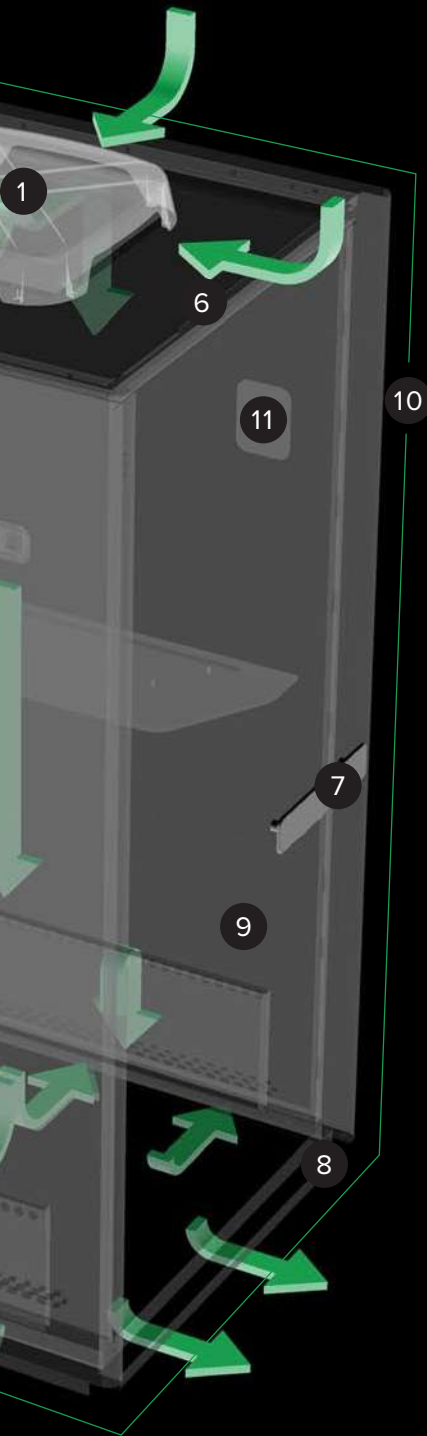
CE certified charging ports with AC outlet and Type A/ Type C 65W PD. Input 110-240 VAC, IOA, 50-60Hz.



Acoustic Material for Sound Insulation

A+ DS,A ~ CLASS B, the perfect sound insulation offers private and quiet environment, free from disturbances.





Motion Sensor for Energy Saving

The LED lighting and air ventilation system are activated by sensing motions. Both will turn off automatically after 5 minutes of inactivity.



Auto Close Tempered Glass Door

The door opens up to 95° to prevent collision against surroundings.



Elegant Door Handle

Aesthetically designed makes WINPOD acoustic pod an elegant component in a trendy office.



Quick And Easy To Assemble

Complete setup in just 30 minutes, with a simple, 3-step assembly instruction, making installation a breeze.



Casters for The Ease of Mobility

A feature for S/W/D POD.



WINPOD Touch Panel

With the latest WINPOD Touch Panel, control and personalise your acoustic pod easily with just a few taps.

Distraction-Free Zone

Whether you need a quiet space for data crunching, for a private and confidential call, or simply just to take five, calm down and regroup, WINPOD acoustic pods offer you a high quality and well-insulated distraction-free zone. Our acoustic pods come with tempered glass door so you will not feel claustrophobic. Step into tranquillity amid a chaotic office without feeling isolated.

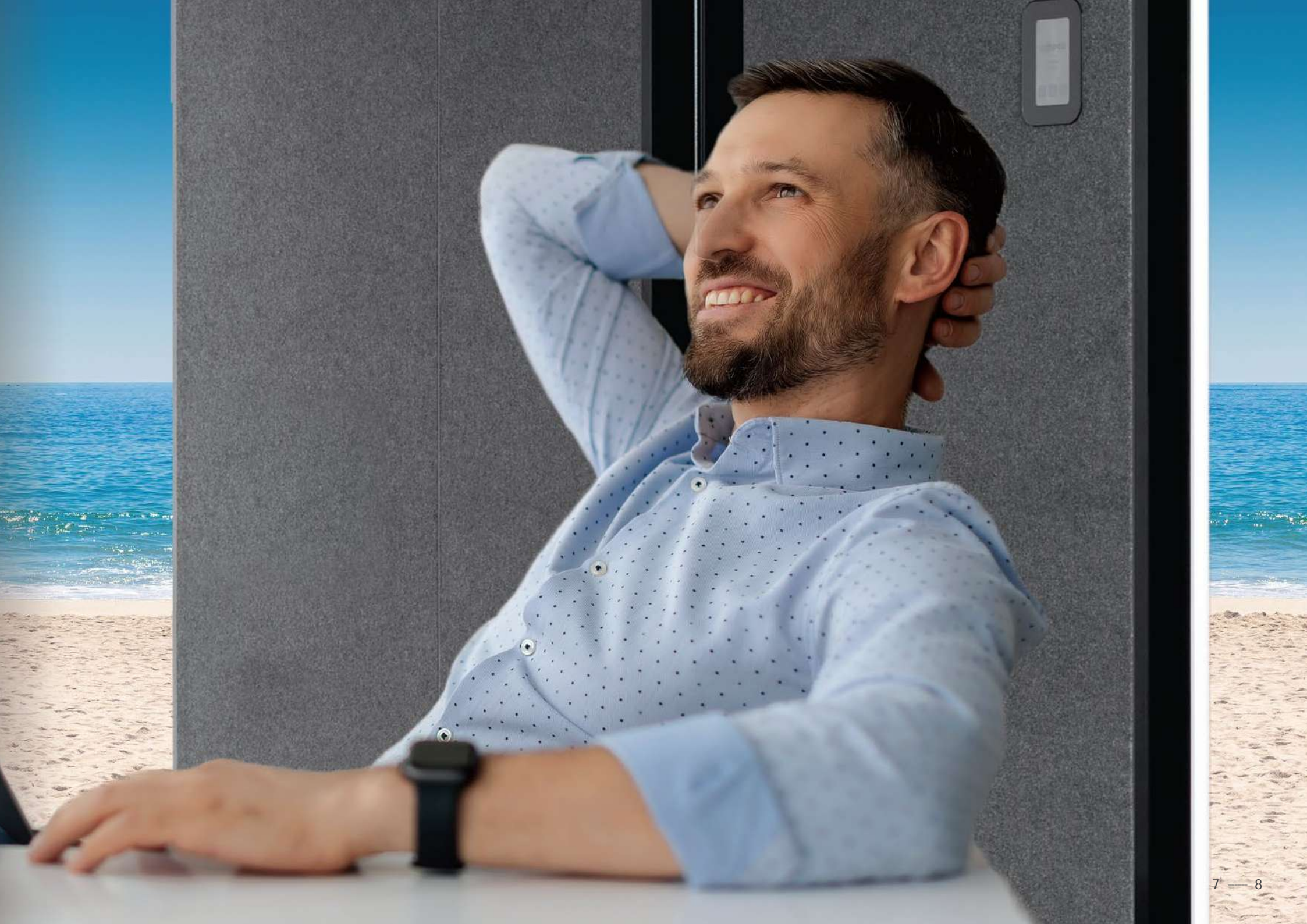
Certified by



HIGH ACOUSTIC RATING

D_{s,A} - **CLASS B**

Based on ISO 23351-1 standard



Your Space. Your Call.

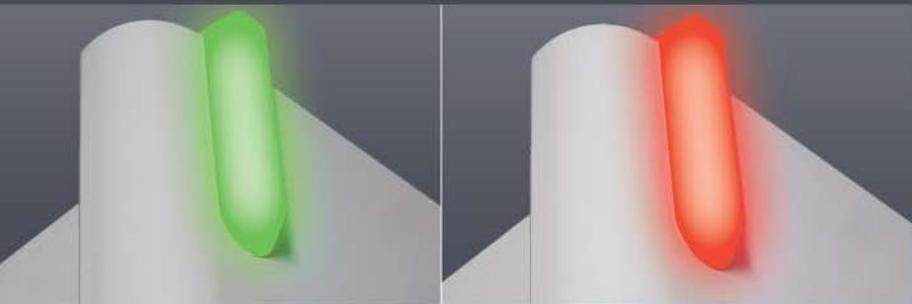
At WINPOD, we believe that form and function should work in tandem. Aesthetical design with task-based functionality and ergonomical desks will enhance the employee's experience while they are working in the pods. With a wide range of colours and materials to choose from, we are confident that our acoustic pods will be a chic and beautiful addition to your office.

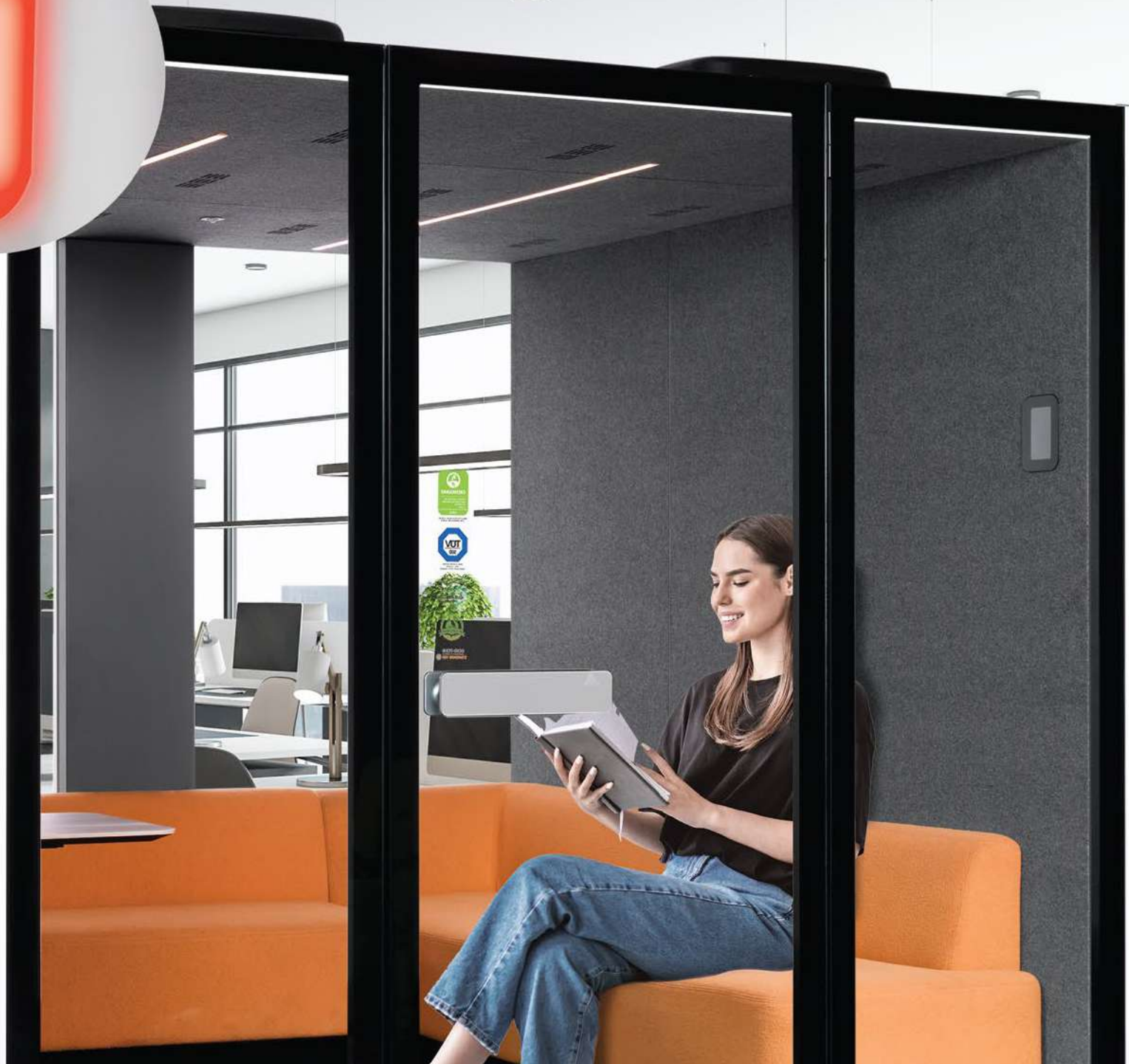
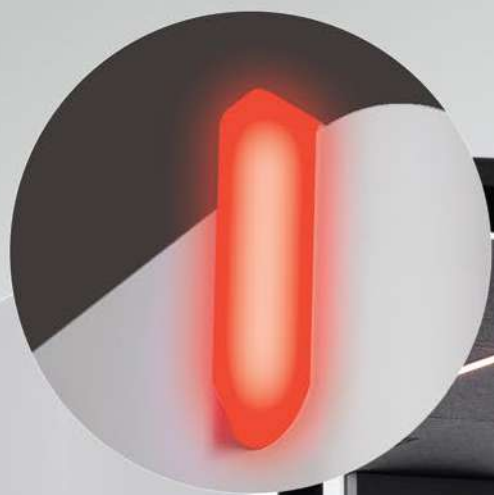




Occupancy Indicator

Knowing which acoustic pod is available from afar instantly, with just a glance at the occupancy indicator at the top of the pods. This is especially useful if you are looking for a pod at the last minute, or just need it for a quick call or discussion. You can hop right in to one that is available.

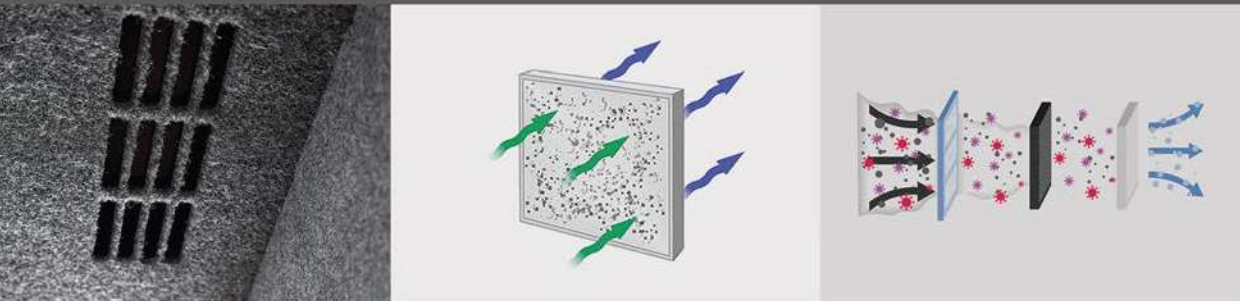


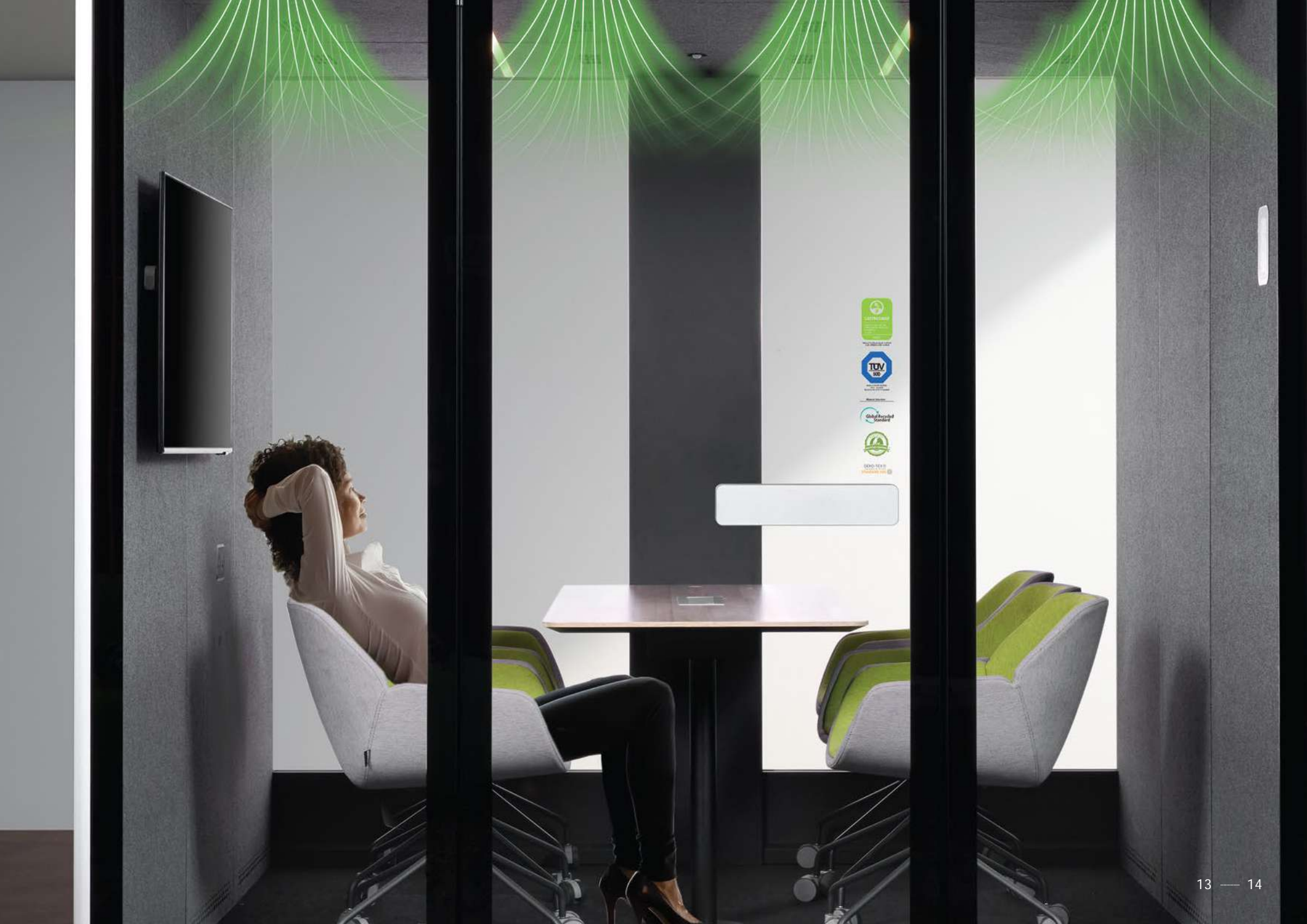


HEPA filter – cleaner and healthier air

WINPOD acoustic pods are installed with a HEPA filter. It captures airborne particles and releases the cleaned air into the pod. Cleaner air reduces allergic responses. Your employees can work confidently knowing that the air quality inside the pods is cleaner and healthier.

Model	Airflow (m ³ /h)	AirChange Per Hour (ACH)
S POD 3.0 Plus	152	89
W POD 3.0 Plus	152	52
D POD 3.0 Plus	304	63
C POD 3.0 Plus	912	87
M POD 3.0 Plus	912	69



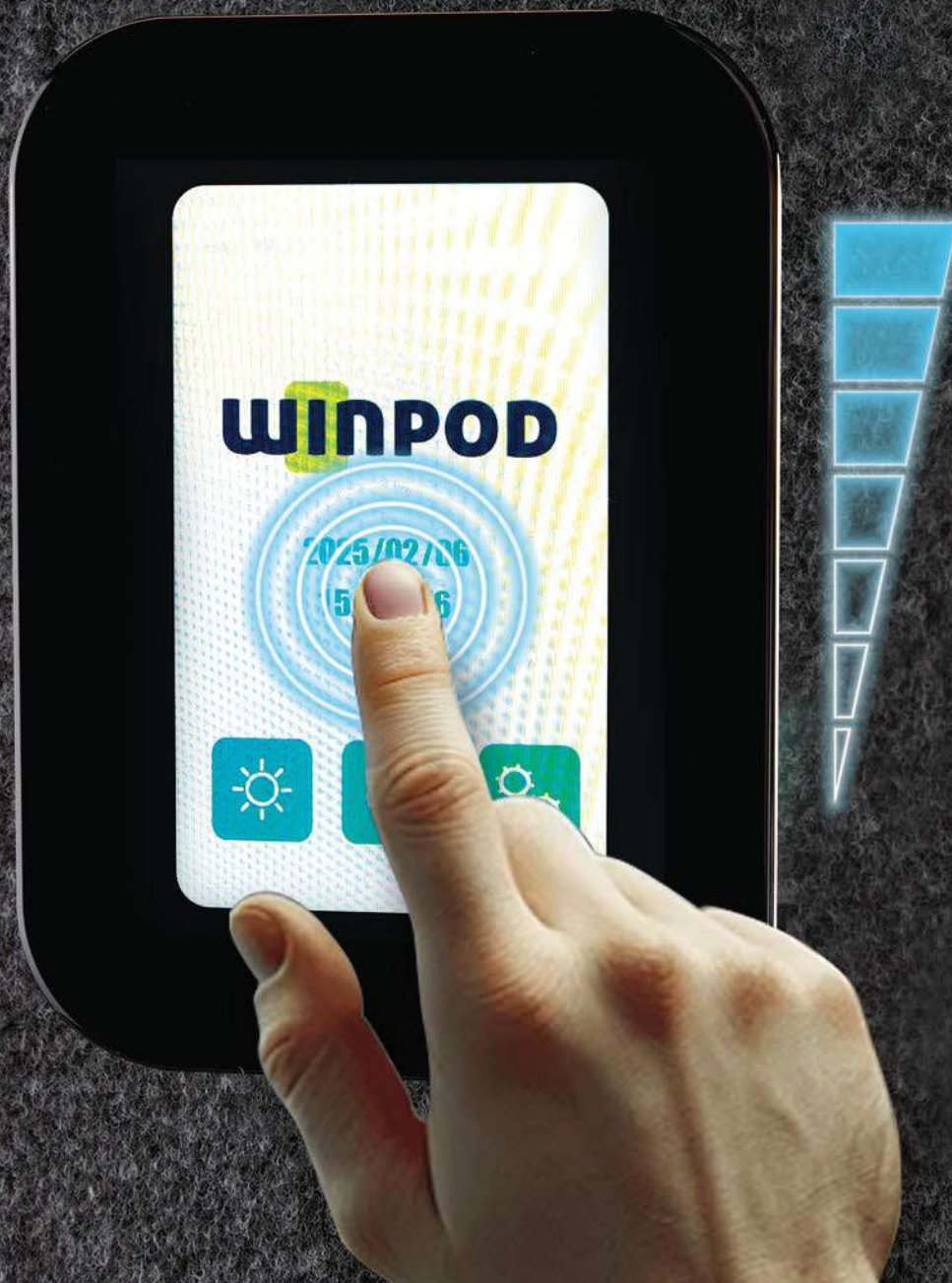


Reduce techno stress

Techno stress is a feeling of anxiety, tension, or distress that can occur when someone is overwhelmed by technology. It is common in today's world, given that we are all connected to our devices 24/7. However, technology and connection are essential in getting the work done.

We have made the technology invisible to lower its potential distraction. All controls (brightness, fan speed, auto air circulation, etc.) are easily accessible and manageable through the WINPOD touch panel. All pods also come with Type-C charger and universal socket for your devices to stay charged.



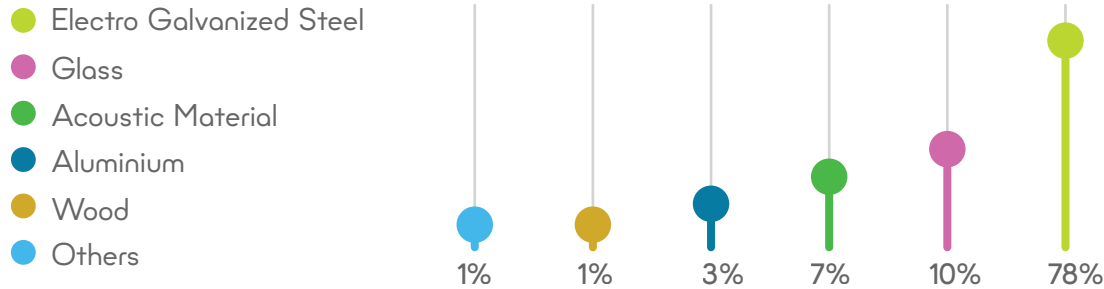


Recyclable and sustainable

Sustainability is no longer an option. It is now ingrained in the way we do business. WINPOD is proud to claim that 98% of all the materials used in our products are recyclable. Especially the acoustic materials – they are 100% polyester and have been tested by the relevant authorities, proven to be harmless to the environment.

One of our notable commitments to a greener environment is using galvanised steel to create 78% of an S Pod 3.0 Plus.

S POD 3.0 Plus

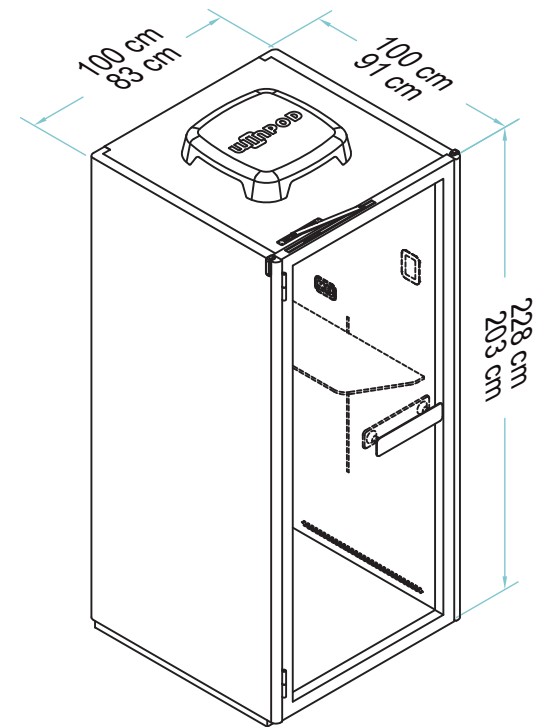






S POD 3.0 Plus

S POD 3.0 Plus is a classic pod for a single person. An individual can carry out work that requires a high level of privacy, such as signing contracts, making phone calls, and video conferences.



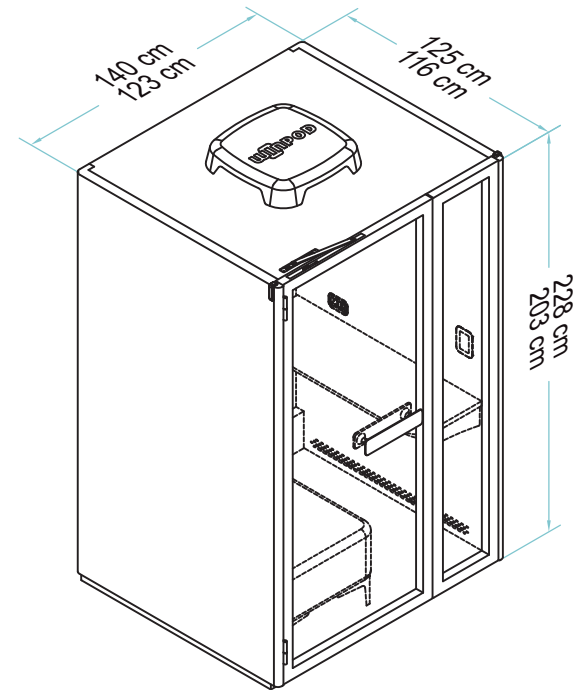
- Laminated Desktop
- Caster
- Power Consumption: 0.18 A
- POD Weight: 265.55 kg

**High stool not included*



W POD 3.0 Plus

W POD 3.0 Plus has a unique extendable desktop with multiple functions. This ergonomic feature allows you to adjust your working position while providing a storage space. This spacious pod is suitable for individuals (can fit up to 2 pax) who want to work over a long period.

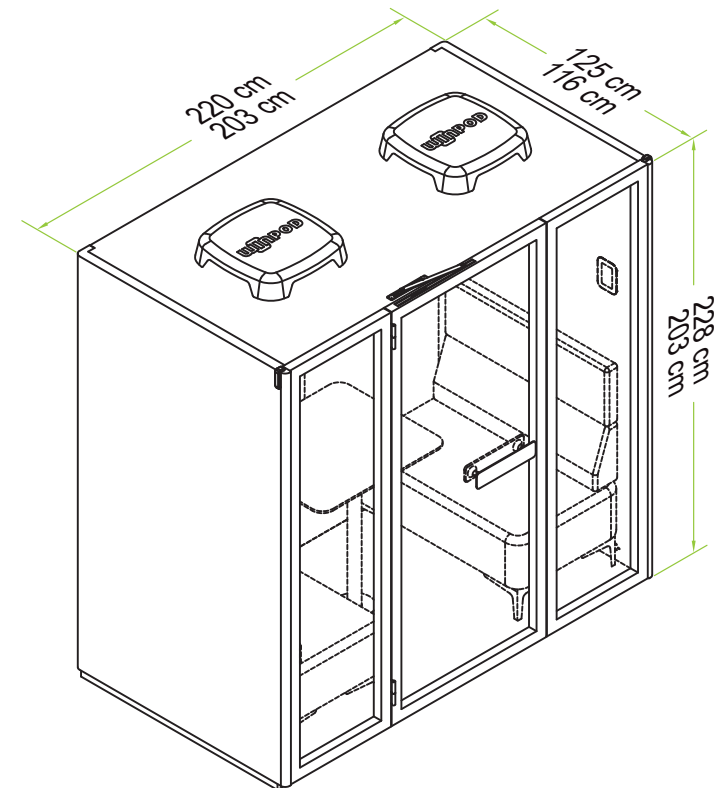


- Extendable Desktop
- Exclusively Designed Sofa with Backrest
- Caster
- Power Consumption: 0.18 A
- POD Weight: 363.7 kg



D POD 3.0 Plus

D POD 3.0 Plus can accommodate two to four people. The sofas come with a comfortable backrest, allowing users to carry out discussions in a relaxed manner, most importantly free of disturbances.

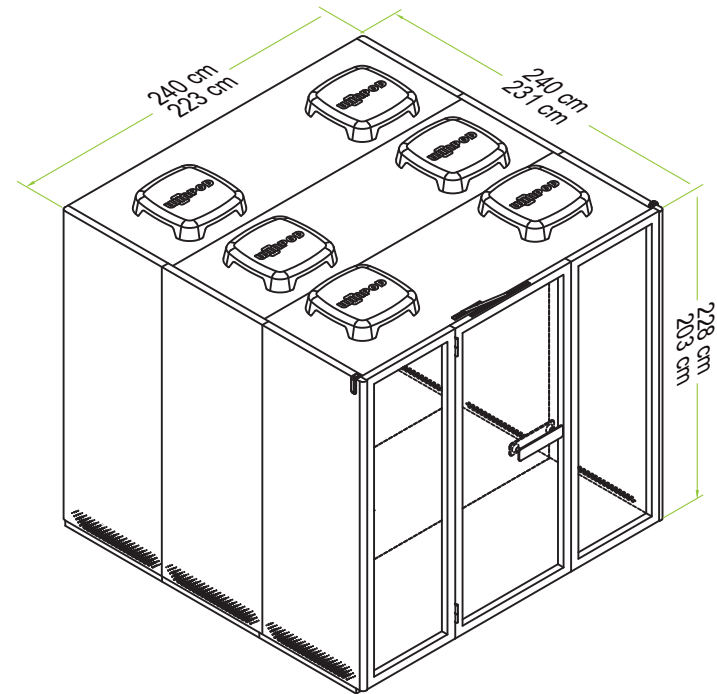


- Laminated Desktop
- Exclusively Designed Sofa with Backrest
- Caster
- Power Consumption: 0.33 A
- POD Weight: 497.65 kg



C POD 3.0 Plus

C POD 3.0 Plus fits up to five people, ideally for meeting, entertainment or relaxing. The meeting table with integrated charging ports is perfect for discussion and brainstorming. Choice of L-shaped sofa offers a casual yet private moment for the group.



- Selections Of Furnishing:
 - Exclusive L-Shaped Sofa
 - Meeting Table with Integrated Charging Ports
 - Bare Unit
- TV Bracket with AC Power Socket (optional)
- Whiteboard (optional)
- Power Consumption: 0.47 A
- POD Weight: 833 kg

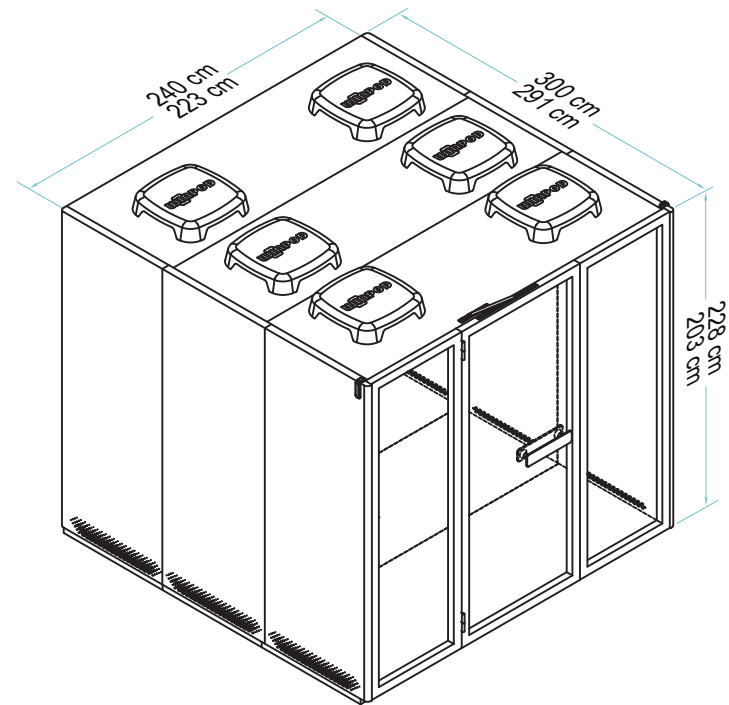
**Side table and TV not included*



M POD 3.0 Plus

M POD 3.0 Plus can accommodate up to seven people. Its comfortable and well-ventilated space support users to increase work efficiency and productivity.

Apart from the meeting table and L-shaped sofa, a bare unit is also available for your customised fittings.



- Selections Of Furnishing:
 - Exclusive L-Shaped Sofa
 - Meeting Table with Integrated Charging Ports
 - Bare Unit
- TV Bracket with AC Power Socket (optional)
- Whiteboard (optional)
- Power Consumption: 0.47 A
- POD Weight: 833 kg
- Net Weight: 914.85 kg

**Chairs and TV not included*

* Display colours may slightly vary from actual colours

EXTERIOR

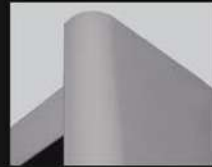
Colour Selection



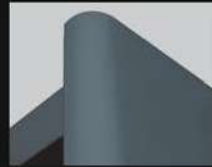
Smoke White



Charcoal Black



Silver



Space Grey



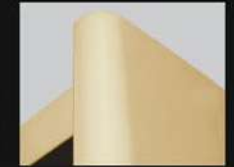
Sky Blue



Lagoon Blue



Rose Pink



Dandelion Yellow

INTERIOR

Acoustic Sheet Colour Selection



Dark Grey



Light Grey

Carpet Colour Selection



Black



Silver

SOFA

Fabric Colour Selection



1001
Oyster White



1002
Beige Grey



1003
Brown Grey



1006
Dark Grey



1007
Grey



1009
Brown



1011
Yellow



1014
Dark Green



1015
Blue



1016
Dark Blue



1020
Orange



1021
Purple



1022
Peach



1023
Sky Blue



1026
Lemon Yellow



1027
Brown Red

ALL RIGHTS RESERVED BY:

CHINA DESIGN	2024300990472
AUSTRALIA PATENT DESIGN	202411268
EUROPE DESIGN	006405791-0001
INDIA DESIGN	408950-001
INDONESIA DESIGN	A002024 00842
MALAYSIAN INDUSTRIAL DESIGN	24-00357-0101
NEW ZEALAND DESIGN	433372
PHILIPPINES DESIGN	3-2024-050184
SINGAPORE DESIGN	30202400292T i
THAILAND DESIGN	2402000922
UNITED KINGDOM DESIGN	6059581
UNITED STATES DESIGN	29/930,206





Vinz Office System Sdn Bhd

Head office (Malaysia)
AL-48-B Jalan Industri 4 ,
Kampung Baru Sg.Buloh ,
47000 Selangor Darul Ehsan ,
Malaysia



Tel: 603-6734 0355
603-6734 0686



Website : www.vinzoffice.com.my



Facebook : Vinz Office System Sdn Bhd